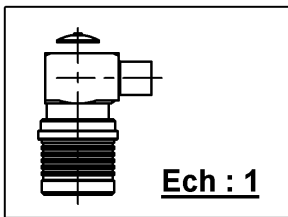
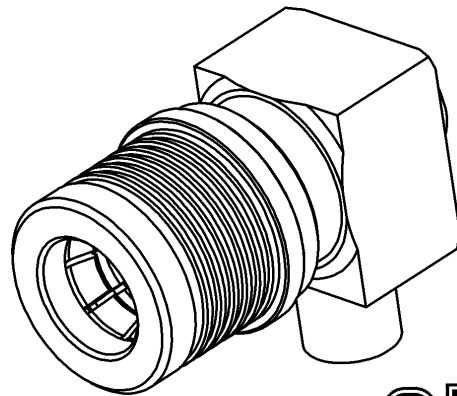
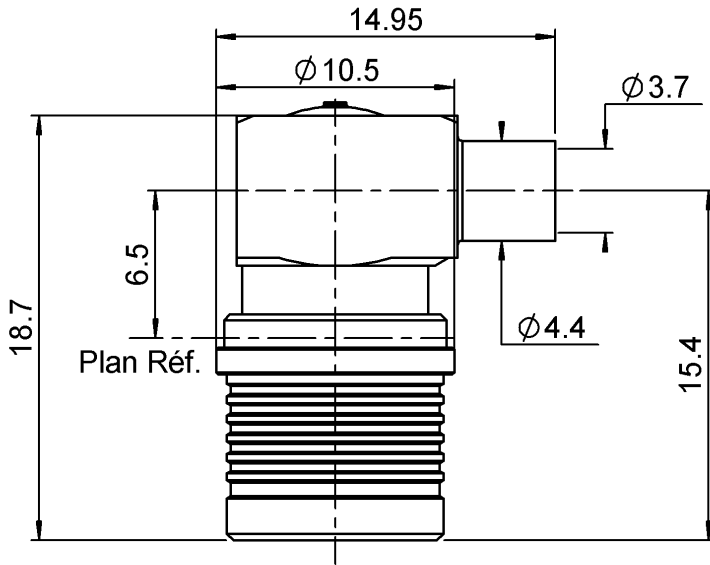


RIGHT ANGLE PLUG SOLDER TYPE

R123.154.000

CABLE .141

Series : QMA



All dimensions are in mm.

COMPONENTS	MATERIALS	PLATINGS (µm)
BODY	BRASS	BBR 2
CENTER CONTACT	BRASS	NPGR
OUTER CONTACT	BRASS	BBR 2
INSULATOR	PTFE	
GASKET	-	
OTHERS PARTS	BRASS	BBR 2
-	-	-
-	-	-

Issue : 0709 E

In the effort to improve our products, we reserve the right to make changes judged to be necessary.



RIGHT ANGLE PLUG SOLDER TYPE

R123.154.000

CABLE .141

Series : QMA

PACKAGING

Standard	Unit	Other
100	'W' option	Contact us

SPECIFICATION

CABLE ASSEMBLY

ELECTRICAL CHARACTERISTICS

Stripping	a	b	c	d	e	f
mm	3,17	0,00	0,00	0,00	0,00	0,00

Impedance	50	Ω
Frequency	0-6	GHz
VSWR	1.10 + 0,0200	x F(GHz) Maxi
Insertion loss	.05	\sqrt{F} (GHz) dB Maxi
RF leakage	- (***80)	- F(GHz)) dB Maxi
Voltage rating	335	Veff Maxi
Dielectric withstanding voltage	1000	Veff mini
Insulation resistance	5000	M Ω mini

Assembly instruction : **Solder 02**

Recommended cable(s)
 RG 402
 KS 2
 BELN YQ43858
 HC80000-3

Characteristics indicated on this data sheet are those that can be achieved with the highest performance cable. Intrinsic limitations of the cable may diminish the performance of the assembly

Cable retention

- pull off **270** N mini
- torque **NA** N.cm

MECHANICAL CHARACTERISTICS

TOOLING

Center contact retention	
Axial force – Mating end	18 N mini
Axial force – Opposite end	27 N mini
Torque	NA N.cm mini

Part Number	Description	Hexagon
.	.	.
R282.053.000	STRIPPING TOOL	
R282.067.000	POINTER GAUGE	
R282.740.000	SOLDERING MOUNTING	
R282.744.240	SOLDERING POSITIONER	

Recommended torque	
Mating	NA N.cm
Panel nut	NA N.cm
Clamp nut	NA N.cm
A/F clamp nut	0,0000 mm

Mating life	100 Cycles mini
Weight	7,5000 g

OTHERS CHARACTERISTICS

ENVIRONMENTAL

**Intermod. : -120dBc at 1.8GHz (2x20W)
 ***RF leakage(interface) 3<F<6GHz: >70dB

Operating temperature	-40/+105 °C
Hermetic seal	NA Atm.cm3/s
Panel leakage	NA

Issue : 0709 E

In the effort to improve our products, we reserve the right to make changes judged to be necessary.



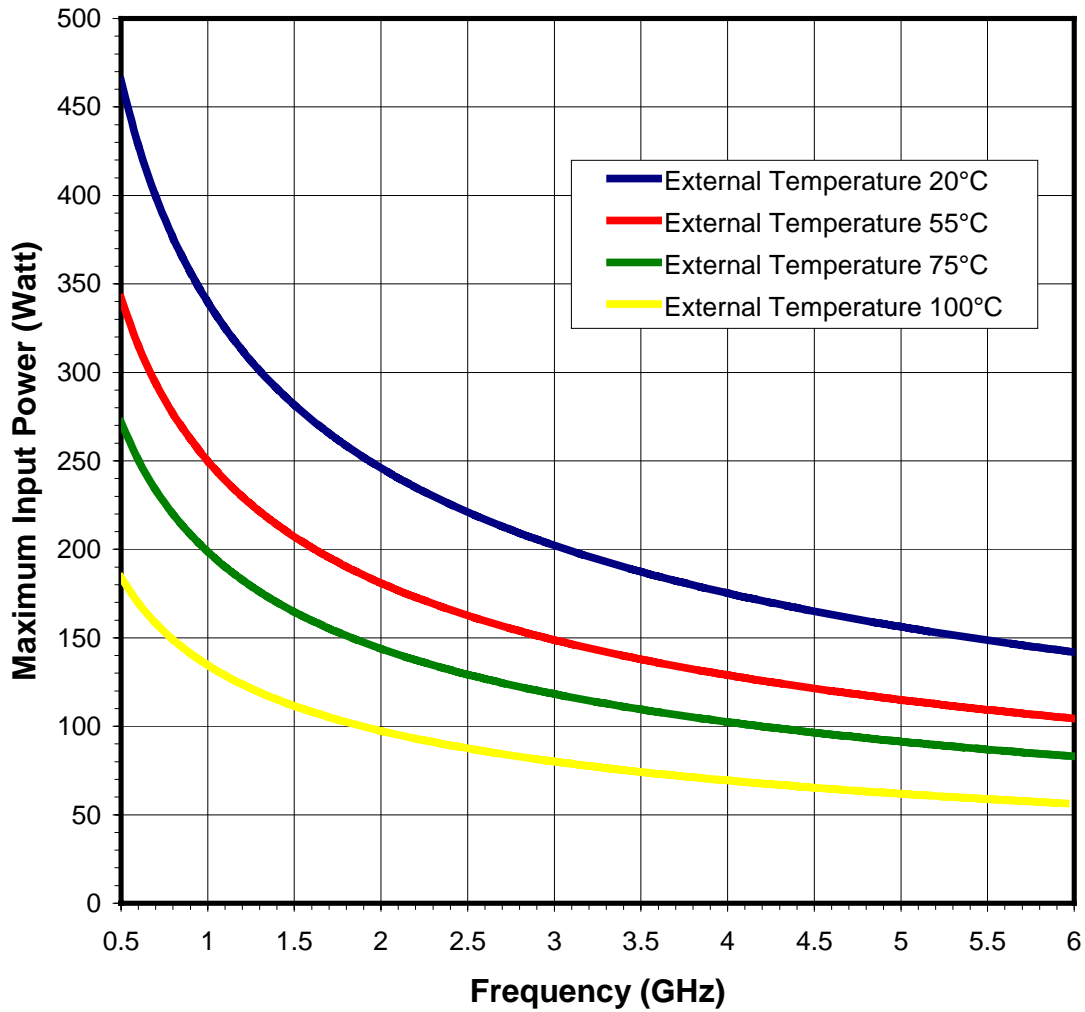
RIGHT ANGLE PLUG SOLDER TYPE

R123.154.000

CABLE .141

Series : QMA

POWER DERATING



Issue : 0709 E

In the effort to improve our products, we reserve the right to make changes judged to be necessary.

